



# Pool **MIRAGE** round

---

Specific instruction sheet

**Note :** This instruction sheet manual includes installation instructions for specific items related to the MIRAGE ROUND pool. All the other steps must be followed in the main instruction manual.

## 1- SUPPORT POSTS INSTALLATION

Insert the upright base on the front part of the bottom plate (figure 1.1).

Secure that in place with a 1 ½ inch (L) screw in the upright base opening.

Put the top of the upright on the wall and insert the wall channel clips. These clips tighten on the top of the upright by simple pressure and links the wall, the top channel and the post. (figure 1.2 and 1.3)

Then insert the base cover at the bottom of the upright. (figure 1.4)

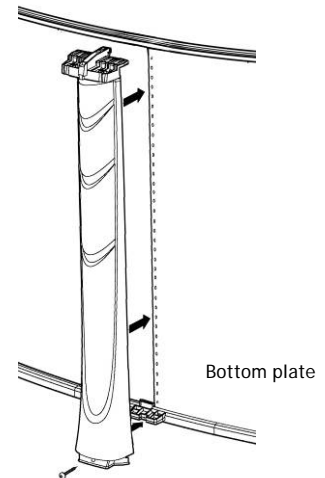


Figure 1.1

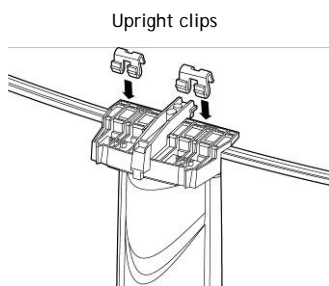


Figure 1.2

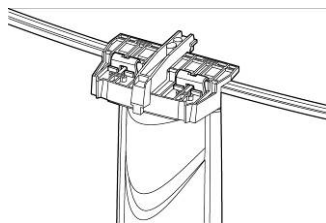


Figure 1.3

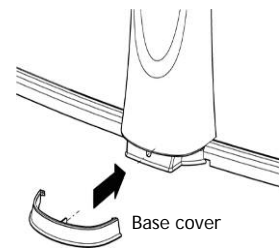


Figure 1.4

## 2- TOP RAILS INSTALLATION

Position and place the top rails as indicated in (figure 2.1). The slots on the top rails should line up with the holes on the joining plates. Insert the top 3/4-inch screws (K) without tightening them too much.

When all the top rails are installed, wait and fill the pool 2 feet from the top before continuing to the other step.

Be sure that the two axis of the uprights are levelled by pushing gently to the inside before tightening the screws permanently.

Put the front screws (k) in the lower ends of the top seat and be sure to always keep levelled the two axis of the post.

Install all necessary equipment (i.e. skimmer, filter, etc) per manufacturers specifications.

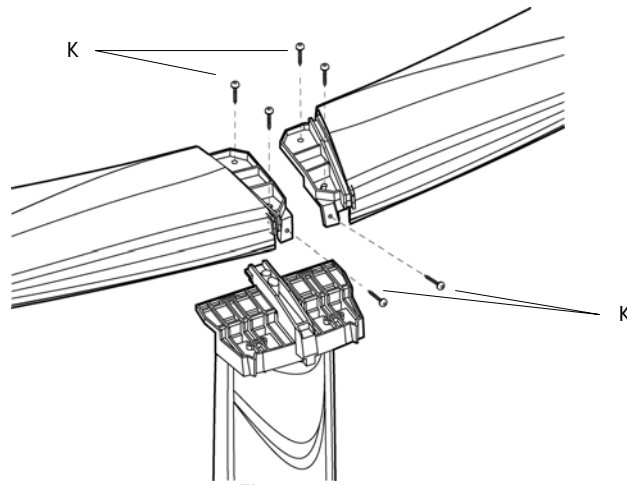


Figure 2.1

## 3- SEAT CAP INSTALLATION (\*)

Put the rigid cap on the soft one. Align the ellipses of the soft cap with the holes of the rigid cap. (figure 3.1)

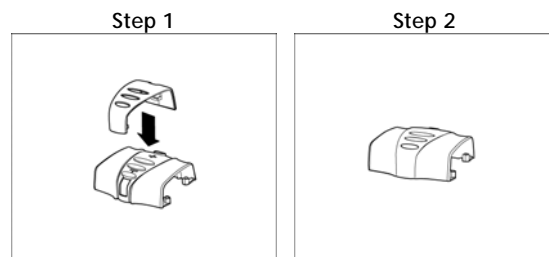
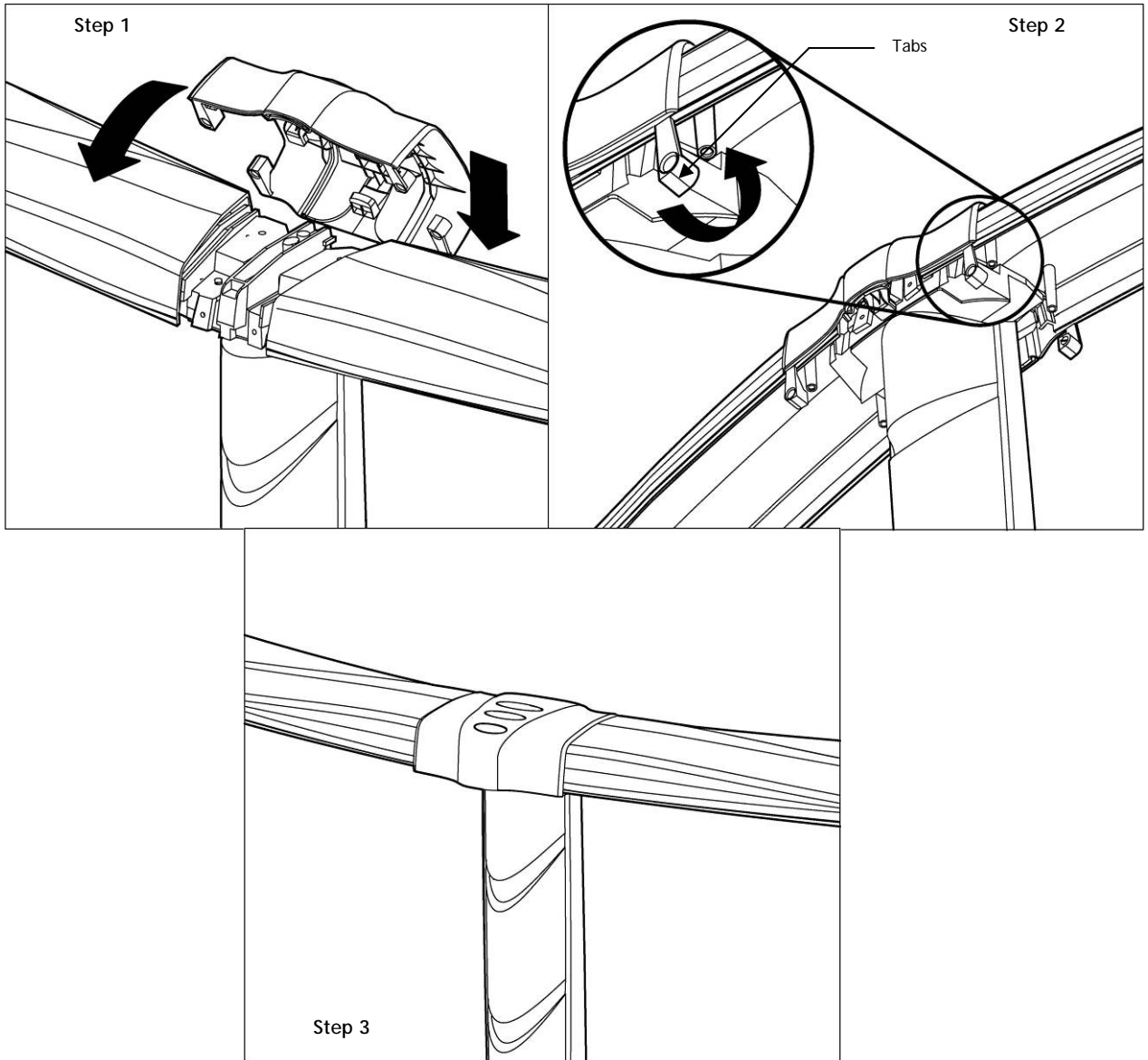


Figure 3.1

\*Note. The two parts of the seat cap will normally be pre-assembled

#### 4- SEAT CAPS INSTALLATION ON THE POOL STRUCTURE

Insert the rear central hook (inside of the pool) of the rigid cap on the center tab of the upright. Install the seat cap on the front by pulling gently on the part. That will enable the part to lock on the front tab of the upright. Be sure that the soft part sits well on the top seats. Then insert the four tabs of the soft part over the cylinders under the top seat.



## 5- PARTS LIST

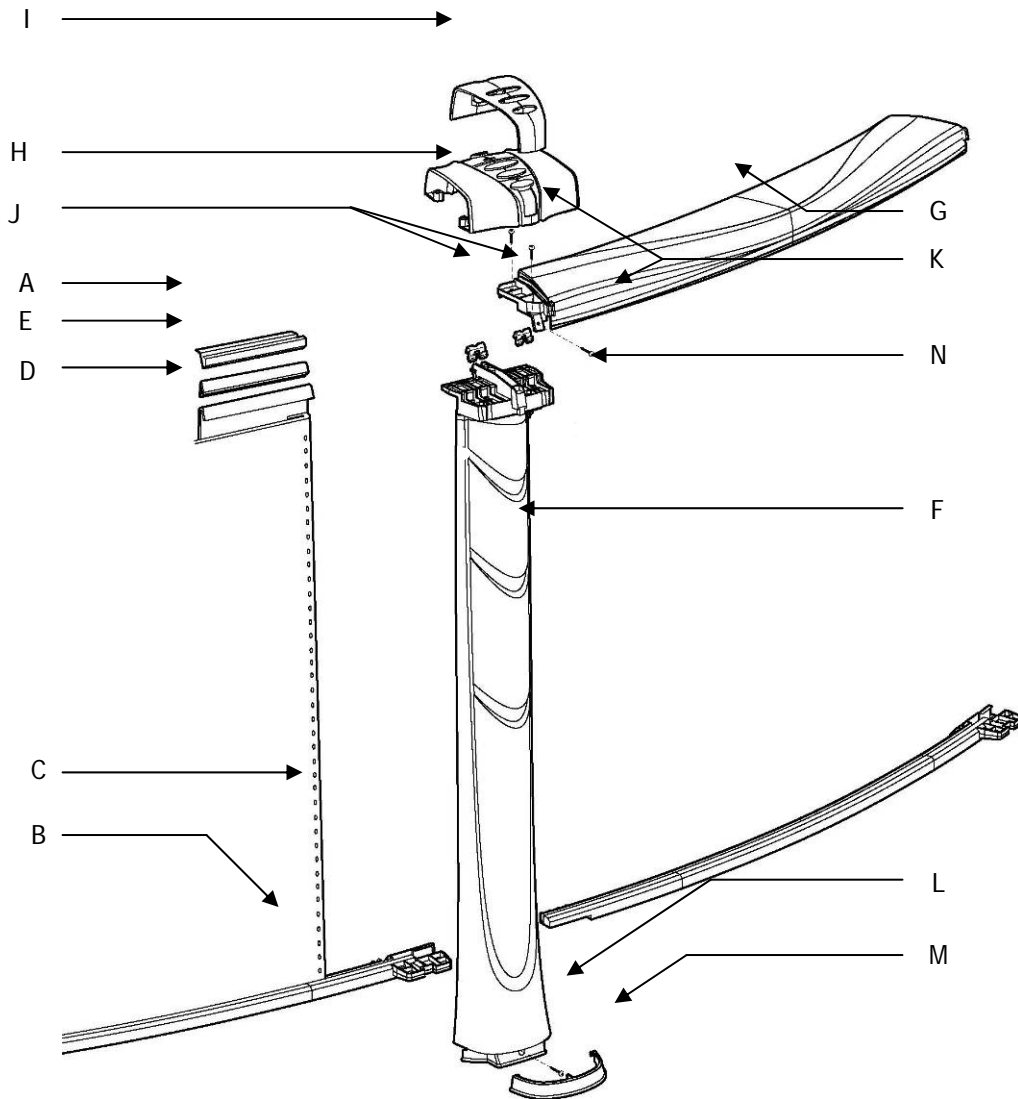
Description	Piece number	12'	15'	18'	21'	24'	27'	30'
<b>A- Top wall channels</b>								
12'	1072553100	9	-	-	-	-	-	-
15'		-	11	-	-	-	-	-
18'	1075853100	-	-	13	-	-	-	-
21'	1071453100	-	-	-	15	-	-	-
24'		-	-	-	-	17	-	-
27'	1072753100	-	-	-	-	-	19	-
30'		-	-	-	-	-	-	21
<b>B- Bottom wall channels</b>								
12'	1082553200	9	-	-	-	-	-	-
15'		-	11	-	-	-	-	-
18'	1085853200	-	-	13	-	-	-	-
21'	1081453200	-	-	-	15	-	-	-
24'		-	-	-	-	17	-	-
27'	1082753200	-	-	-	-	-	19	-
30'		-	-	-	-	-	-	21
<b>C- Steel wall</b>								
Steel wall	109_ _ _ _ K52	39' 10"	48' 4"	57' 2"	65' 11"	75'	84'	92' 6"
<b>D-Liner</b>								
Vinyl liner (hook)		1	1	1	1	1	1	1
Vinyl liner (overlap)		1	1	1	1	1	1	1
<b>E- Plastic coping (not included)</b>								
Plastic coping	6COP40000000	13	16	19	22	25	28	31
<b>F- Support posts</b>								
Support posts	10200_ _ K_ _	9	11	13	15	17	19	21
<b>G- Top rails</b>								
Curved top rail 53 po.	10100_ _ K00	9	11	13	15	17	19	21
<b>H- Flexible seat cap</b>								
Flexible seat cap	10600_ _ K00	9	11	13	15	17	19	21
<b>I- Rigid seat cap</b>								
Rigid seat cap	10300_ _ K00	9	11	13	15	17	19	21
<b>J- Channel clips</b>								
Channel clips	6ADP10900A00	18	22	26	30	34	38	42
<b>K- ¾" stainless steel screw</b>								
12 x ¾" stainless steel screw	2PPS124	54	66	78	90	102	114	126
<b>L- 1 ½" screw</b>								
12 x 1 ½" stainless steel screw	2PPS112	9	11	13	15	17	19	21
<b>M- Base cover</b>								
Base cover	11700_ _ K00	9	11	13	15	17	19	21

Piece number codification

Example : 109 24 09 K 52  
 Wall Diameter Color Model Height

Color code : 02=pearl, 08 Ivory, 09 Champagne, 10 green, 33 grey

Diameter table	
Pool diameter	Real radius
12' (3,69 m)	6' 4" (1,93 m)
15' (4,57 m)	7' 8" (2,34 m)
18' (5,49 m)	9' 1" (2,78 m)
21' (6,40 m)	10' 5" (3,20 m)
24' (7,32 m)	11' 11" (3,63 m)
27' (8,23 m)	13' 4" (4,07 m)
30' (9,14 m)	14' 8" (4,47 m)



AQUA LEADER reserves the right to modify or alter any construction specifications without notice.

Manufactured by AQUA LEADER, 2370 de la Province Longueuil, QC, J4G 1G1

Revision 11/06