

A useful investment !

AquaTop pool covers offer you:

Comfort

You can operate the cover very easily and automatically with a keyswitch or remote control in order to open or close the cover to the programmed end positions.

Improved safety

The AquaTop cover can bear the weight of a small pet, child or even an adult. One can acquire improved safety by fitting a rail just beneath the water level or by providing a ledge. The cover can only sink to the top of the rail or ledge.

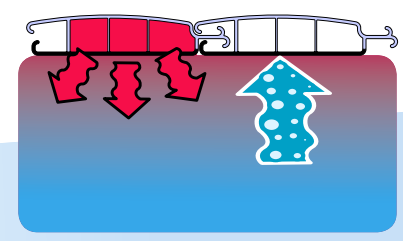
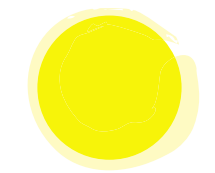
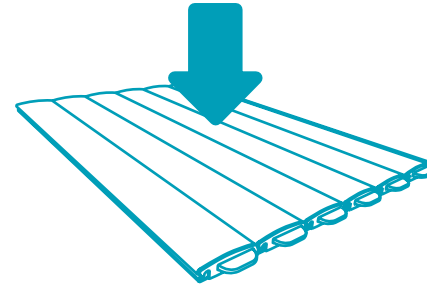
Energy saving

By covering a pool, evaporation and heat losses are limited to a minimum. For an indoor pool the dehumidification system does not have to run so much. The solar slats warm up the swimming pool by 4 to 8 °C depending on the season and the geographical location!

Less maintenance

The AquaTop cover contributes to keeping the swimming pool clean!

Bears the weight of an adult of 100 kg
6kg/m²

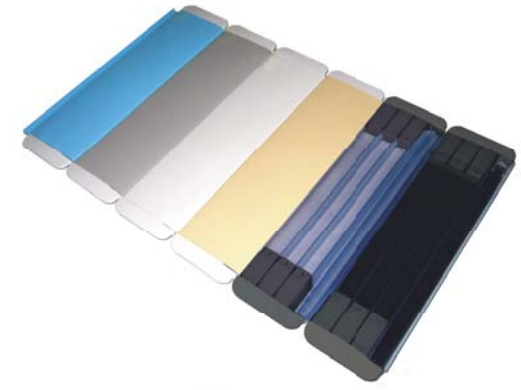


Top quality!

For more than 10 years installers all over Europe confide in the quality of AquaTop pool covers.

Slats

The AquaTop slats are made of PVC with improved UV-resistance. The AquaTop slats are enhanced by using a 20% thicker wall than the existing 3-chambre profile. The slats are available in different colours. We can also offer you the solar slats which warm up the pool water.



Mechanisms

All immersed mechanisms of AquaTop pool covers are constructed in stainless steel 316L. All top mount mechanisms are constructed in stainless steel 304L. Some parts of the EcoTop mechanism are made of anodized aluminium.



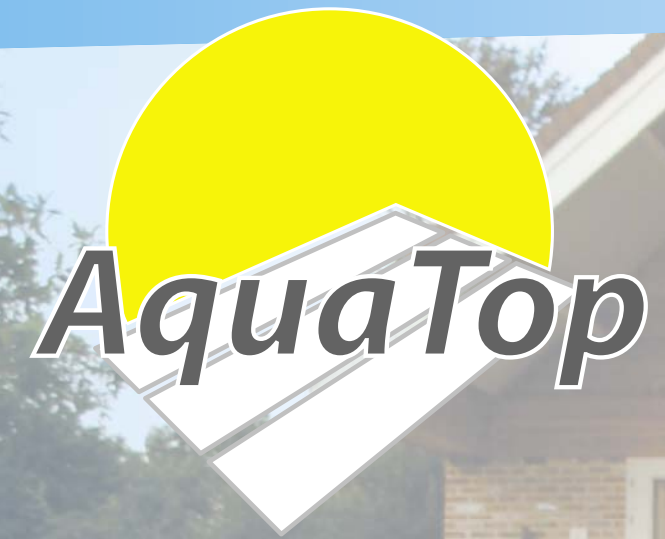
Automation

All electronic components of the AquaTop pool cover are CE controlled. Furthermore they function on safety-voltage of 24V DC.

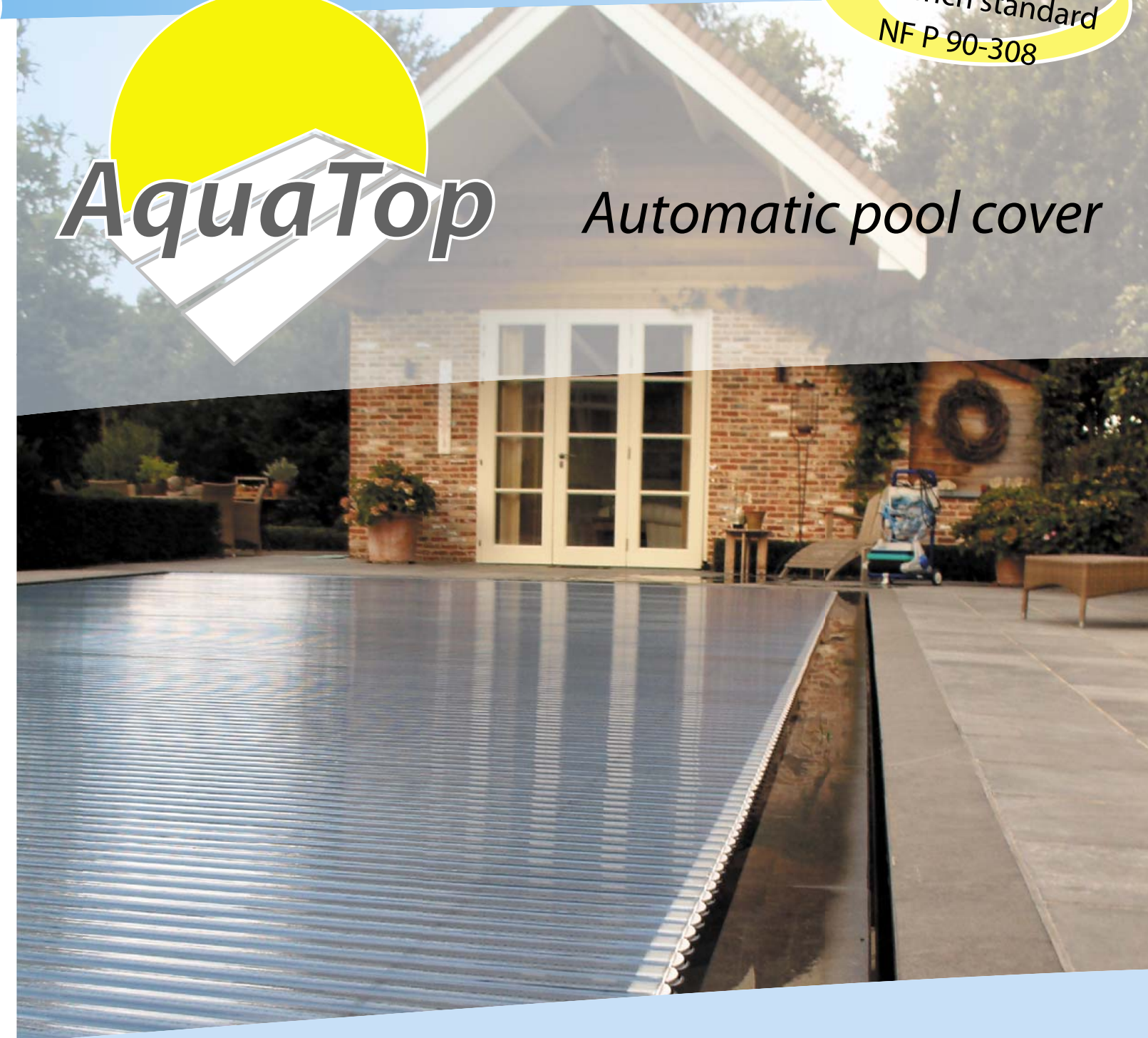


2 years of warranty on all AquaTop parts!

In accordance with the French standard NF P 90-308



Automatic pool cover



The top of automatic pool covers !



Your dealer:

www.aquatop.be



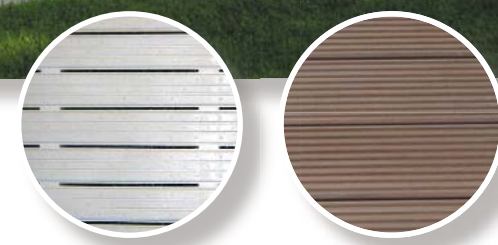
EcoTop

The slats roll up on a frame on the pool wall.
Option: functioning on solar energy.



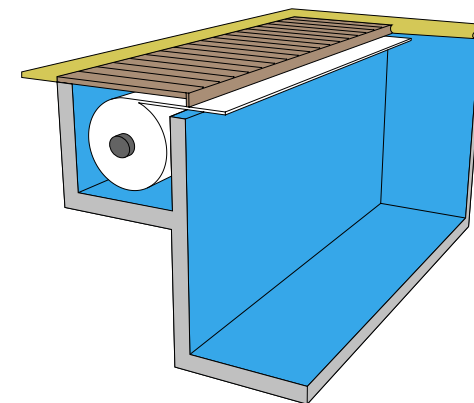
Top Mount

The slats roll up in a compartment on the pool wall.
Finishing: frame in aluminium and PVC or wood.



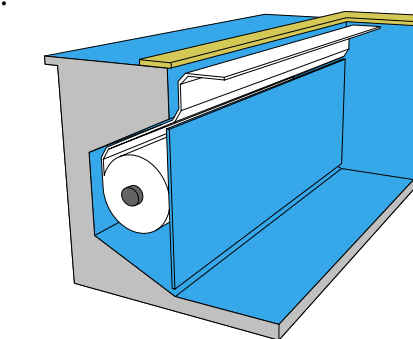
Underwater mount in niche

The slats disappear into a niche behind the pool.
Finishing: grates in plastic or wood.



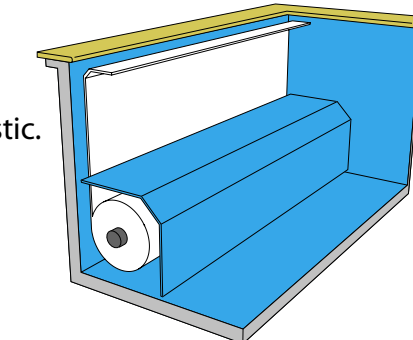
Underwater mount in wall

The slats roll up in a space inside the pool wall.
Finishing: dividing wall in plastic.



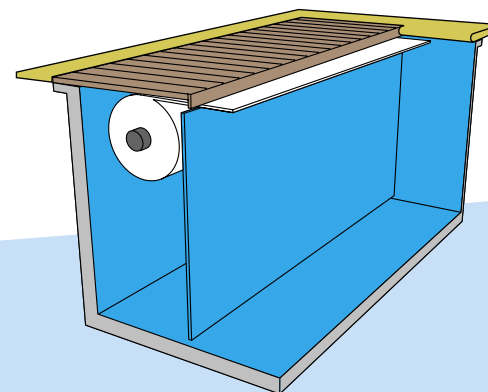
Underwater mount on bottom

The roller is located on the floor of the pool.
Finishing: underwater-bench in plastic.



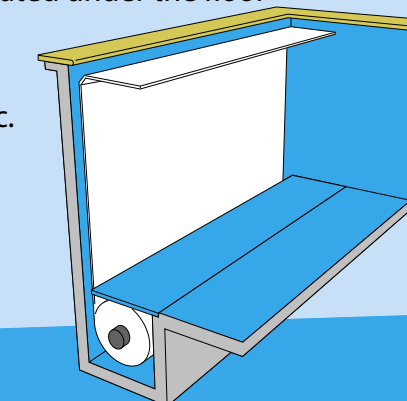
Underwater mount in pool

The slats roll up inside the pool.
Finishing: Dividing wall in plastic. Grates in plastic or wood.



Underwater mount in bottom

The roller is located under the floor of the pool.
Finishing: grates in plastic.



EcoTop and Top Mount:
Ideal for existing swimming pools

