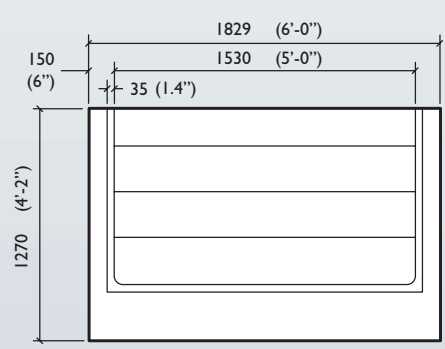
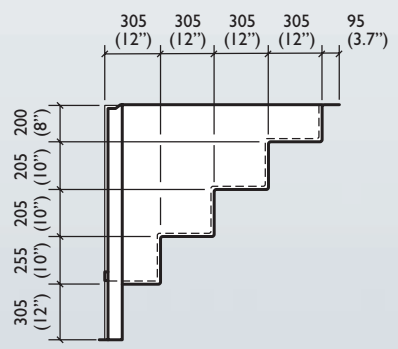


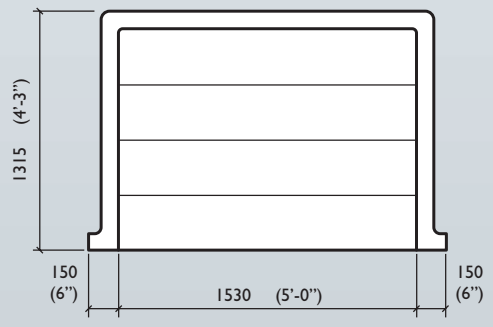
# 6' X 4' CONSTANT DEPTH STEP - 1.83M X 1.22M



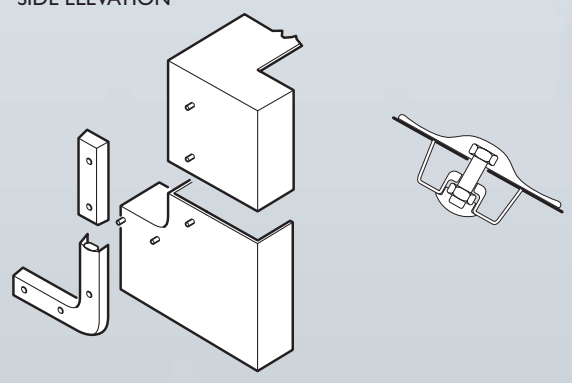
FRONT ELEVATION



SIDE ELEVATION



PLAN



ISOMETRIC