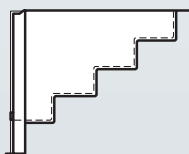
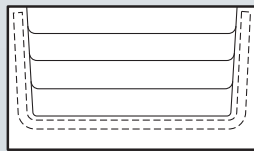


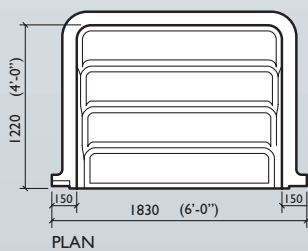
6' SQUARE STEP - 1.83M



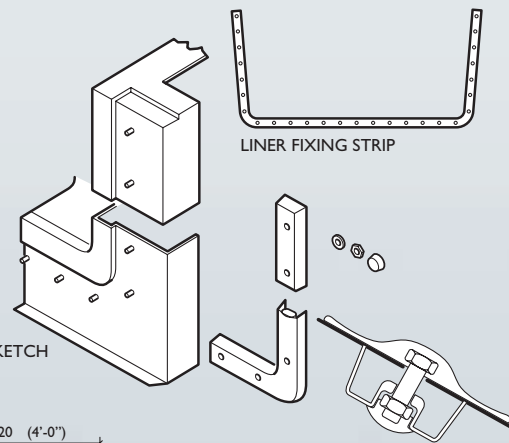
SIDE ELEVATION



FRONT ELEVATION

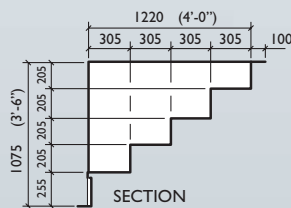


PLAN



LINER FIXING STRIP

SKETCH



SECTION