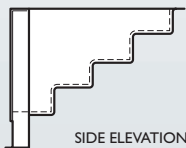
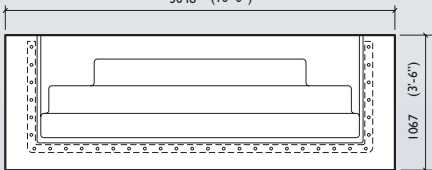


10' ROMAN END STEP - 3.048M

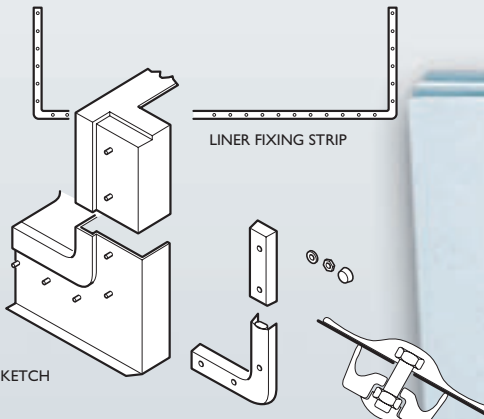


SIDE ELEVATION

3048 (10'-0")

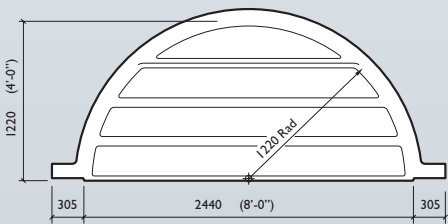


FRONT ELEVATION

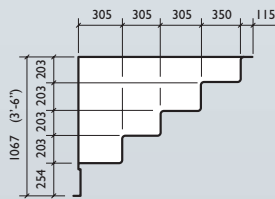


SKETCH

LINER FIXING STRIP



PLAN



SECTION